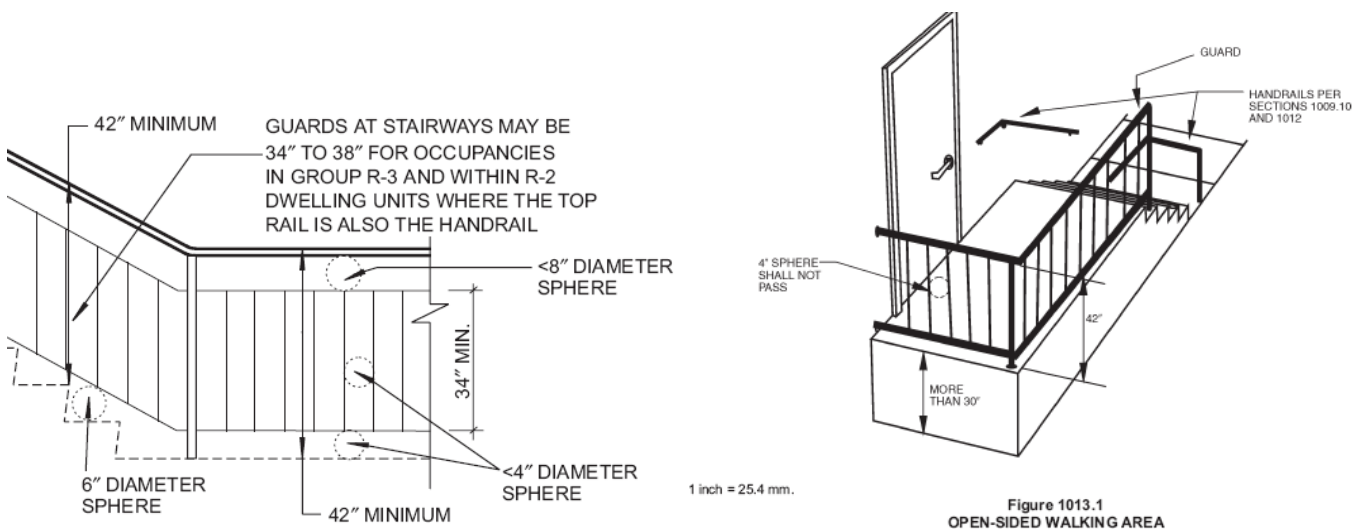


GUARDS – 2006 IBC Section 1013 & IRC Section R312

1013 GUARDS - Where required. Guards shall be located along open-sided walking surfaces, mezzanines, industrial equipment platforms, stairways, ramps and landings which are located more than 30 inches (762 mm) above the floor or grade below. Guards shall also be located along glazed sides of stairways, ramps and landings that are located more than 30 inches (762 mm) above the floor or grade below where the glazing provided does not meet the strength and attachment requirements in Section 1607.7.

1013.2 Height. Guards shall form a protective barrier not less than 42 inches (1067 mm) high, measured vertically above the leading edge of the tread, adjacent walking surface or adjacent seatboard. **Exceptions:** 1. For occupancies in Group R-3, and within individual dwelling units in occupancies in Group R-2, guards whose top rail also serves as a handrail shall have a height not less than 34 inches (864 mm) and not more than 38 inches (965 mm) measured vertically from the leading edge of the stair tread nosing. 2. The height in assembly seating areas shall be in accordance with Section 1025.14.



R312.1 Guards required. Porches, balconies or raised floor surfaces located more than 30 inches (762 mm) above the floor or grade below shall have guards not less than 36 inches (914 mm) in height. Open sides of stairs with a total rise of more than 30 inches (762 mm) above the floor or grade below shall have guards not less than 34 inches (864 mm) in height measured vertically from the nosing of the treads.

Porches and decks which are enclosed with insect screening shall be provided with guards where the walking surface is located more than 30 inches (762 mm) above the floor or grade below.

R312.2 Guard opening limitations. Required guards on open sides of stairways, raised floor areas, balconies and porches shall have intermediate rails or ornamental closures which do not allow passage of a sphere 4 inches (102 mm) or more in diameter.

Exceptions:

1. The triangular openings formed by the riser, tread and bottom rail of a guard at the open side of a stairway are permitted to be of such a size that a sphere 6 inches (152 mm) cannot pass through.
2. Openings for required guards on the sides of stair treads shall not allow a sphere 4-3/8 inches (107 mm) to pass through.

IF STAIR IS MORE THAN 30 IN. ABOVE THE FLOOR BELOW AT ANY POINT OF THE STAIR'S FLIGHT, A GUARD IS REQUIRED ALONG THE OPEN SIDE.

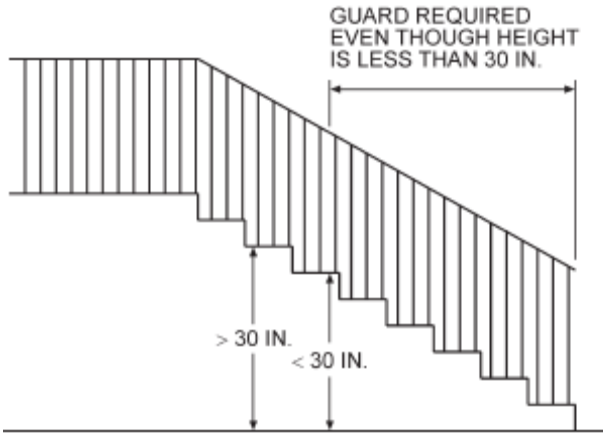


Figure R312.1(1)
STAIRWAY GUARD

nch = 25.4 mm.

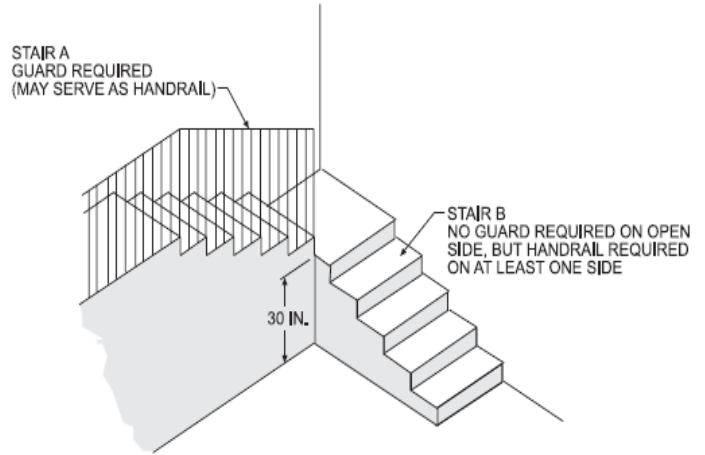
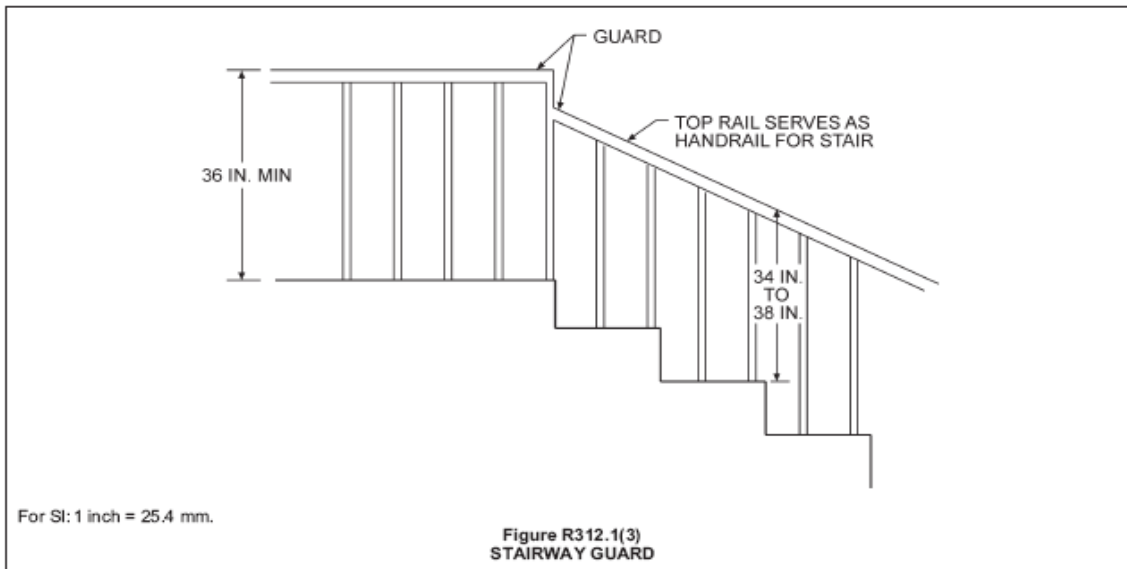
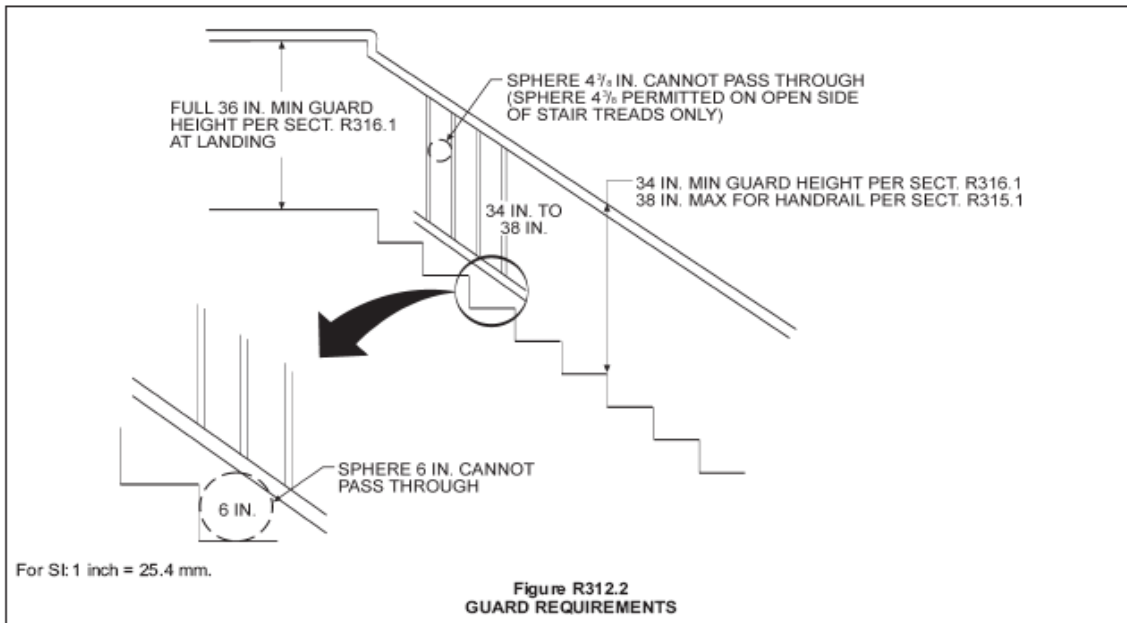


Figure R312.1(2)
STAIRWAY GUARD



For St: 1 inch = 25.4 mm.

Figure R312.1(3)
STAIRWAY GUARD



For St: 1 inch = 25.4 mm.

Figure R312.2
GUARD REQUIREMENTS